



Network Video Recorder

Quick Guide

DR-2504P

DR-2504P-A

DR-2504P-B

DR-2504P-C

DR-2508P

DR-2508P-A

DR-2516P

DR-2516P-A

Safety Precautions

Important Safeguards

- 1. Read Instructions** All the safety and operating instructions should be read before the appliance is operated.
- 2. Retain Instructions** The safety and operating instructions should be retained for future reference.
- 3. Cleaning** Unplug this equipment from the wall outlet before cleaning it. Do not use liquid aerosol cleaners. Use a damp soft cloth for cleaning.
- 4. Attachments** Never add any attachments and/or equipment without the approval of the manufacturer as such additions may result in the risk of fire, electric shock or other personal injury.
- 5. Water and/or Moisture** Do not use this equipment near water or in contact with water.
- 6. Ventilation** Place this equipment only in an upright position. This equipment has an open-frame Switching Mode Power Supply (SMPS), which can cause a fire or electric shock if anything is inserted through the ventilation holes on the side of the equipment.
- 7. Accessories** Do not place this equipment on an unstable cart, stand or table. The equipment may fall, causing serious injury to a child or adult, and serious damage to the equipment. Wall or shelf mounting should follow the manufacturer's instructions, and should use a mounting kit approved by the manufacturer.



This equipment and cart combination should be moved with care. Quick stops, excessive force, and uneven surfaces may cause the equipment and cart combination to overturn.

- 8. Power Sources** This equipment should be operated only from the type of power source indicated on the marking label. If you are not sure of the type of power, please consult your equipment dealer or local power company. You may want to install a UPS (Uninterruptible Power Supply) system for safe operation in order to prevent damage caused by an unexpected power stoppage. Any questions concerning UPS, consult your UPS retailer. This equipment should be remain readily operable.
- 9. Power Cords** Operator or installer must remove power and TNT connections before handling the equipment.
- 10. Lightning** For added protection for this equipment during a lightning storm, or when it is left unattended and unused for long periods of time, unplug it from the wall outlet and disconnect the antenna or cable system. This will prevent damage to the equipment due to lightning and power-line surges.
- 11. Overloading** Do not overload wall outlets and extension cords as this can result in the risk of fire or electric shock.
- 12. Objects and Liquids** Never push objects of any kind through openings of this equipment as they may touch dangerous voltage points or short out parts that could result in a fire or electric shock. Never spill liquid of any kind on the equipment.
- 13. Servicing** Do not attempt to service this equipment yourself. Refer all servicing to qualified service personnel.
- 14. Damage requiring Service** Unplug this equipment from the wall outlet and refer servicing to qualified service personnel under the following conditions:
 - A. When the power-supply cord or the plug has been damaged.
 - B. If liquid is spilled, or objects have fallen into the equipment.
 - C. If the equipment has been exposed to rain or water.
 - D. If the equipment does not operate normally by following the operating instructions, adjust only those controls that are covered by the operating instructions as an improper adjustment of other controls may result in damage and will often require extensive work by a qualified technician to restore the equipment to its normal operation.

E. If the equipment has been dropped, or the cabinet damaged.

F. When the equipment exhibits a distinct change in performance - this indicates a need for service.

15. Replacement Parts

When replacement parts are required, be sure the service technician has used replacement parts specified by the manufacturer or that have the same characteristics as the original part. Unauthorized substitutions may result in fire, electric shock or other hazards.

16. Safety Check

Upon completion of any service or repairs to this equipment, ask the service technician to perform safety checks to determine that the equipment is in proper operating condition.

17. Field Installation

This installation should be made by a qualified service person and should conform to all local codes.

18. Correct Batteries

Leaving a BATTERY in an extremely high temperature surrounding environment that can result in an EXPLOSION or the leakage of flammable liquid or gas. A BATTERY subjected to extremely low air pressure that may result in an explosion or the leakage of flammable liquid or gas.

Laisser une BATTERIE dans un environnement extrêmement chaud peut entraîner une EXPLOSION ou une fuite de liquide ou de gaz inflammable. Une BATTERIE soumise à une pression d'air extrêmement faible peut également entraîner une explosion ou une fuite de liquide ou de gaz inflammable.

19. Tmra A manufacturer's maximum recommended ambient temperature (Tmra) for the equipment must be specified so that the customer and installer may determine a suitable maximum operating environment for the equipment.

20. Elevated Operating Ambient Temperature

If installed in a closed or multi-unit rack assembly, the operating ambient temperature of the rack environment may be greater than room ambient. Therefore, consideration should be given to installing the equipment in an environment compatible with the manufacturer's maximum rated ambient temperature (Tmra).

21. Reduced Air Flow Installation of the equipment in the rack should be such that the amount of airflow required for safe operation of the equipment is not compromised.

22. Mechanical Loading

Mounting of the equipment in the rack should be such that a hazardous condition is not caused by uneven mechanical loading.

23. Circuit Overloading

Consideration should be given to connection of the equipment to supply circuit and the effect that overloading of circuits might have on over current protection and supply wiring. Appropriate consideration of equipment nameplate ratings should be used when addressing this concern.

24. Reliable Earthing (Grounding)

Reliable grounding of rack mounted equipment should be maintained. Particular attention should be given to supply connections other than direct connections to the branch circuit (e.g., use of power strips).

25. Children

This equipment is not suitable for use in locations where children are likely to be present.

Cet équipement ne convient pas à une utilisation dans des lieux pouvant accueillir des enfants.

26. Grounding

The equipment protective earthing conductor should be connected to the installation protective earthing conductor.

Le fil de mise à la terre de protection de l'équipement doit être connecté au fil de mise à la terre de protection de l'installation.

<div style="background-color: black; color: white; padding: 5px; font-weight: bold; font-size: 1.2em;">CAUTION</div> <p style="text-align: center; margin: 0;">RISK OF ELECTRIC SHOCK DO NOT OPEN</p>
<p>CAUTION: TO REDUCE THE RISK OF ELECTRIC SHOCK, DO NOT REMOVE COVER (OR BACK). NO USER-SERVICEABLE PARTS INSIDE. REFER SERVICING TO QUALIFIED SERVICE PERSONNEL.</p>



The lightning flash with arrowhead symbol, within an equilateral triangle, is intended to alert the user to the presence of uninsulated "dangerous voltage" within the product's enclosure that may be of sufficient magnitude to constitute a risk of electric shock.



The exclamation point within an equilateral triangle is intended to alert the user to the presence of important operating and maintenance (servicing) instructions in the literature accompanying the appliance.

Symbol	Publication	Description
	IEC60417, No.5032	Alternating current
WARNING Hazardous moving parts Keep away from moving fan blades		AVERTISSEMENT Pièces mobiles dangereuses Se tenir éloigné des pales de ventilateurs mobiles

FCC Compliance Statement

THIS EQUIPMENT HAS BEEN TESTED AND FOUND TO COMPLY WITH THE LIMITS FOR A CLASS A DIGITAL DEVICE, PURSUANT TO PART 15 OF THE FCC RULES. THESE LIMITS ARE DESIGNED TO PROVIDE REASONABLE PROTECTION AGAINST HARMFUL INTERFERENCE WHEN THE EQUIPMENT IS OPERATED IN A COMMERCIAL ENVIRONMENT. THIS EQUIPMENT GENERATES, USES, AND CAN RADIATE RADIO FREQUENCY ENERGY AND IF NOT INSTALLED AND USED IN ACCORDANCE WITH THE INSTRUCTION MANUAL, MAY CAUSE HARMFUL INTERFERENCE TO RADIO COMMUNICATIONS. OPERATION OF THIS EQUIPMENT IN A RESIDENTIAL AREA IS LIKELY TO CAUSE HARMFUL INTERFERENCE, IN WHICH CASE USERS WILL BE REQUIRED TO CORRECT THE INTERFERENCE AT THEIR OWN EXPENSE.

WARNING: CHANGES OR MODIFICATIONS NOT EXPRESSLY APPROVED BY THE PARTY RESPONSIBLE FOR COMPLIANCE COULD VOID THE USER'S AUTHORITY TO OPERATE THE EQUIPMENT. THIS CLASS OF DIGITAL APPARATUS MEETS ALL REQUIREMENTS OF THE CANADIAN INTERFERENCE CAUSING EQUIPMENT REGULATIONS.

WEEE (Waste Electrical & Electronic Equipment)

Correct Disposal of This Product (Applicable in the European Union and other European countries with separate collection systems)



This marking shown on the product or its literature, indicates that it should not be disposed with other household wastes at the end of its working life. To prevent possible harm to the environment or human health from uncontrolled waste disposal, please separate this from other types of wastes and recycle it responsibly to promote the sustainable reuse of material resources.

Household users should contact either the retailer where they purchased this product, or their local government office, for details of where and how they can take this item for environmentally safe recycling.

Business users should contact their supplier and check the terms and conditions of the purchase contract. This product should not be mixed with other commercial wastes for disposal.

Copyright

© 2023 IDIS Co., Ltd. IDIS Co., Ltd. reserves all rights concerning this document.

Use or duplication of this document in part or whole without the prior consent of IDIS Co., Ltd. is strictly prohibited.

Contents of this document are subject to change without prior notice for reasons such as functionality enhancements.

Registered Trademarks

IDIS is a registered trademark of IDIS Co., Ltd. Other company and product names are registered trademarks of their respective owners

The information in this manual is believed to be accurate as of the date of publication even though explanations of some functions may not be included. We are not responsible for any problems resulting from the use thereof. We are not responsible for any problems resulting from the use thereof. The information contained herein is subject to change without notice. Revisions or new editions to this publication may be issued to incorporate such changes.

The software included in this product contains some Open Sources. You may obtain the corresponding source code which we have to distribute according to the license policy. Go to System Setup - About page for more information. This product includes software developed by the University of California, Berkeley and its contributors, and software developed by the OpenSSL Project for use in the OpenSSL Toolkit (<http://www.openssl.org/>). Also, this product includes cryptographic software written by Eric Young (ey@cryptsoft.com), and software written by Tim Hudson (tjh@cryptsoft.com).

Covered by one or more claims of the patents listed at patentlist.accessadvantage.com.

Accessories

Upon unpackaging the product, check the contents inside to ensure that all the following accessories are included.

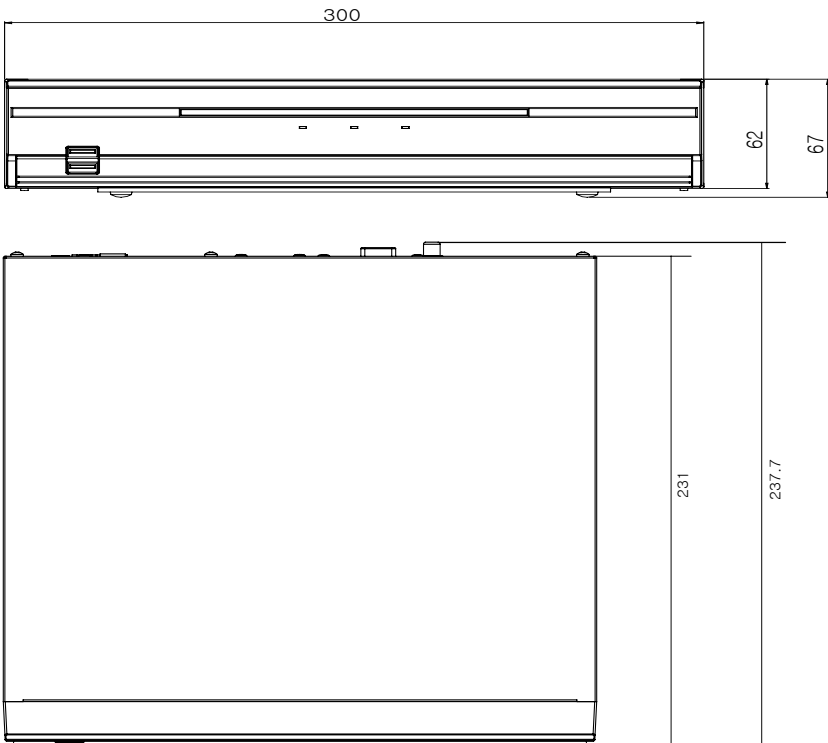
Item		
Network Video Recorder	Power Cable / DC Adapter(12V, 48V, 54V)	Quick Guide
Assembly Screws for Adding Hard Disk Drives	Optical USB Mouse	IR Remote Control (Optional)

- Please download **IDIS Center** software and product manual from this link :
- IDIS Website (www.idisglobal.com)

Overview

Dimensions

(Unit - mm)



Front Panel



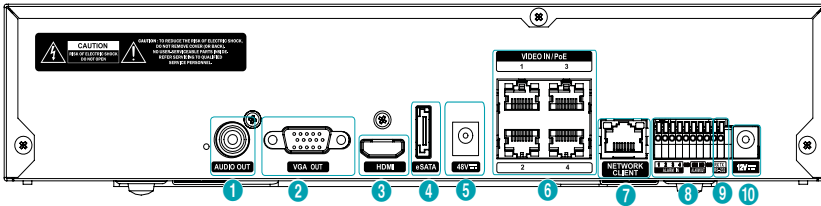
1	USB Ports	2	LEDs
----------	------------------	----------	-------------



- For more details on front panel buttons, refer to the manual.
- This document covers the 4, 8 and 16-channel network video recorders. The NVRs are identical except for the number of cameras and alarms that can be connected and the number of cameras that can be displayed. For simplicity, the illustrations and descriptions in this document refer to the 16-channel model.

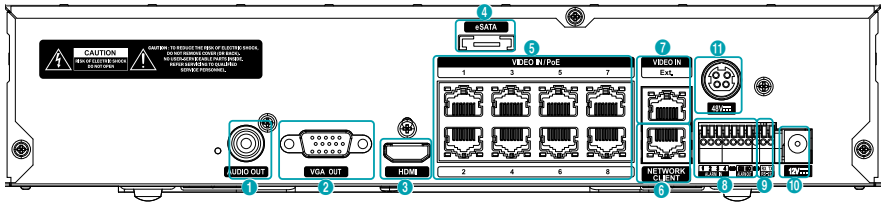
Rear Panel

DR-2504P[-A/B/C]



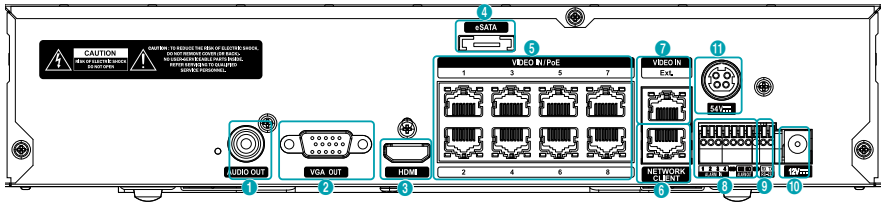
1	Audio Out Port	2	VGA Out Port	3	HDMI Out Port
4	eSATA Port	5	Power In Port (48V)	6	Video In / PoE Ports
7	Network Port	8	Alarm Connection Ports	9	RS-232 Port
10	Power In Port (12V)				

DR-2508P/DR-2516P



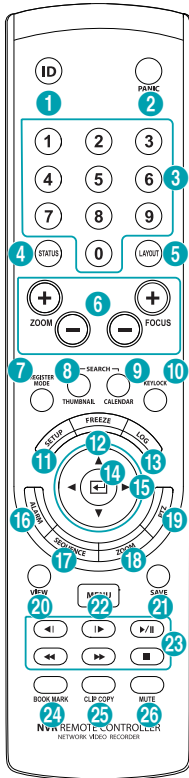
1	Audio Out Port	2	VGA Out Port	3	HDMI Out Port
4	eSATA Port	5	Video In / PoE Ports	6	Network Port
7	Video In / Ext. Port	8	Alarm Connection Ports	9	RS-232 Port
10	Power In Port (12V)	11	Power In Port (48V)		

DR-2508P-A/DR-2516P-A



1	Audio Out Port	2	VGA Out Port	3	HDMI Out Port
4	eSATA Port	5	Video In / PoE Ports	6	Network Port
7	Video In / Ext. Port	8	Alarm Connection Ports	9	RS-232 Port
10	Power In Port (12V)	11	Power In Port (54V)		

Remote Control (Optional)



1	ID Button	2	Panic Button
3	Camera Buttons	4	Status Button
5	Layout Button	6	PTZ Control Buttons
7	Register Mode Button	8	Thumbnail Button
9	Calendar Button	10	Keylock Button
11	Setup Button	12	Freeze Button
13	Log Button	14	Enter Button
15	Arrow Buttons	16	Alarm Button
17	Sequence Button	18	Zoom Button
19	PTZ Button	20	View Button
21	Save Button	22	Menu Button
23	Playback Buttons	24	Bookmark Button
25	Clip Copy Button	26	Mute Button



For more details on remote control buttons, refer to the manual.

Getting Started

Setup Wizard

- ✓ Setup Wizard only appears during initial booting. When you login as an administrator account after initial booting, you can use Wizard to go to Live menu and select Wizard.
- For more details on Setup Wizard, refer to the manual.

1 Select a system language.

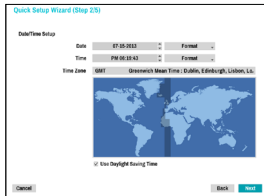


- ✓ Select **Cancel** from any of the Wizard screen to cancel the setup process and return to the main setup menu.

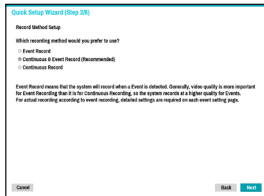
Quick Setup Wizard

- **Start the Quick Setup Wizard**
- **Date/Time Setup**

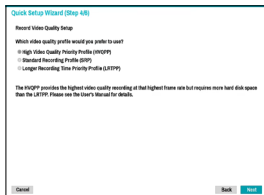
The new date and time settings will only be applied after clicking **Next**.



- **Record Method Setup**



- **Record Video Quality Setup**
- Higher recording quality uses up more disk space.



- **Finish the Quick Setup Wizard**

Network Setup Wizard

- ✓ After exiting from Quick Wizard, the network with Network Wizard will start automatically.

- **Start the Network Setup Wizard**

- **Internet Connection**



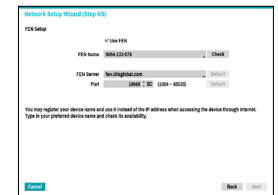
- **LAN Setup**

This test must be performed before proceeding to the next step.



- **FEN Setup**

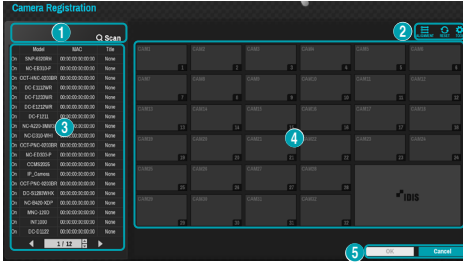
Enter the NVR name registered on the FEN server in the **Device Name** field, and click the **Check** to check its availability.



- **Finish the Network Setup Wizard**

Camera Registration

Once Network Setup Wizard is complete, live mode screen appears. While in live mode, right-click on the mouse and select Camera Registration to run the Camera Registration mode. It allows you to scan for the cameras connected to the NVR.



1	Camera Scan Button	2	Camera View Buttons
3	Camera List Area	4	Video Display Area
5	Apply/Cancel Buttons		

Camera Scan Button

Use this button to scan for and register cameras.

Pressing the **Scan** button displays the following submenu:

- **Rescan:** Scan for DirectIP cameras that were not scanned automatically.
- **Go To Camera:** Moves the focus automatically to the camera using MAC address of camera in the camera list.
- **Screen Auto. Assign:** Assigns the detected cameras on the video display area.
- **Camera list:** By using the camera information file, .csv, the user can register the cameras easily.
- **Scan Refresh Interval:** Configures the refresh interval to scan the camera. If the interval is short, camera scan results are refreshed more frequently. However, if the interval is long, it is advantageous to scan cameras on a wide network.
- **Manual Scan:** Used to manually scan for third-party cameras that cannot be recognized by the auto scan feature.
 - Protocol: Select the protocol used by the camera (or video encoder) you wish to search for.



Even if the network device uses a protocol supported by the NVR, the device itself may not be visible for scanning and registration by the NVR. For more information about supported network devices and models, contact your retailer.

- Mode: Select the scan mode.

Camera View Buttons

- **ALIGNMENT** Button: Realigns camera screens displayed on the video display area in the order of **Video In port** connections.
- **RESET** Button: Refreshes the video display area and the camera list.
- **Bitrate** Button: Changes the bitrate allocation for each channel.
- **TOOL** Button: Displays network camera tool window and changes the camera protocol.

Camera List Area

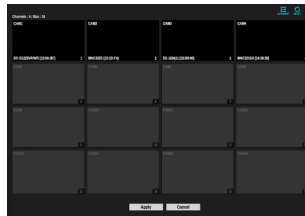
Following options can be accessed by right-clicking on a camera list entry:

- **Add/Remove Camera:** Adds or removes the selected camera. The Add Camera option is inactive if the camera has already been added to the screen.
- **Authentication:** Enter the necessary camera login info. This option is inactive for DirectIP cameras because they do not require logins.
- **Multi-Selection Mode On/Off:** Adds or removes cameras simultaneously by selecting multiple cameras from the list.

Video Display Area

Left-click on the video display area to toggle between split screen and single screen modes.

Drag the camera screens around to rearrange them.



Apply/Cancel Buttons

While in Camera Registration mode, select **Apply** to register all changes.


Select **Cancel** to exit Camera Registration mode without applying the changes.

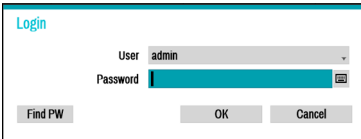


It is not possible to register a camera that has already been registered to a different NVR.

Login


Configuring the NVR's settings and accessing its searching and other functions require an authorized user login.


- 1 Bring up the Live menu and either press the **Setup** button on the remote control or click on  icon using the mouse to log in.



- 2 Select a user, enter the password, and then select **OK**.

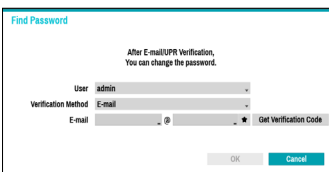


- Leaving the admin account unassigned with a password poses a security risk. Please assign a password at your earliest convenience. A warning message will continue to be displayed until a password is assigned.
- Click on the  button next to the password field using the mouse. This will bring up a virtual keyboard you can use to assign a password.

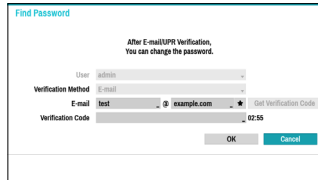
- 3 To log out, bring up the Live menu and click on  icon using the mouse.

Find Password

- 1 Enter a user, registered email and then select **Get Verification Code**.

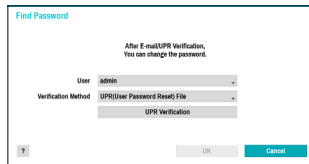


- 2 Enter **Verification Code** and select **OK**.



- Select the question mark button at the bottom left corner of the screen to refer to the password settings instructions.
- The password must be entered only with the virtual keyboard.
- FEN service must be enabled to use find password function.

- 3 Enter an UPR(User Password Reset) verification and then click on **UPR Verification** button.

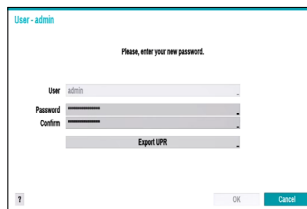


- 4 Select the UPR file and then click on **Import** button.



- To use UPR function, the UPR file must be saved in advance.
- You can reset the password using an encrypted UPR (User Password Reset; filename extension *.upr) file.
- It can be used as USB flash driver on local pc, but not remotely.
- Only files exported from the same device are available.
- If you lose the UPR file and change the password of the NVR, the UPR file may not be used.

- 5 To set a new password, click the question mark button in the lower left corner and follow the instructions.



Basic Feature

Live Mode

Once Camera Registration is complete, the system will enter Live Mode.


Press the **MENU** button on the remote control while in Live mode to bring up the Live menu on the top of the screen. Press **MENU** once more to hide the menu. Use the Arrow buttons on the front panel of the NVR or the remote control to select the menu options.


Video Recording

Records the live video.

Refer to the manual for more information.

Panic Recording

Select **Live** or **Search** menu's Panic Recording  icon or press the **Panic Recording** button on the front panel or the remote control to commence panic recording on all registered cameras.

To stop Panic Recording, select the Panic Recording  icon or press the **Panic Recording** button again. If the **Panic Recording Duration** option under **Record Setup > General** has been configured, Panic Recording will automatically terminate after the specified duration of time has elapsed.



- Panic Recording takes place irrespective of any recording schedule set up by the user.
- Panic Recording video profile from **Record Setup – General** applies to all Panic Recording videos.



Panic Recording will not take place if recording mode is not set to **Recycle** and the HDD has reached 100% of its capacity.

Audio Recording

If the Record Audio option under **Record Setup > General** has been enabled the camera will record audio along with video.




Check your local laws and regulations on making audio recordings.

Video Recording Playback

You can play back video recordings by using a mouse or remote control.

All Channel Playback

- 1 Press the **Menu** button while in Live mode.
- 2 Select the Search Mode  icon and then select **Time-Lapse Search** or **Event Log Search**.
- 3 The selected search mode will be initiated.

IDIS Web

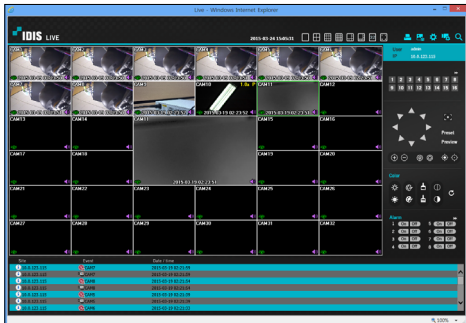
IDIS Web is a program that allows you to view and search video from remote locations over the Internet and can be accessed on the various web browser.

System requirements for running IDIS Web are as follows:

	Recommended
OS	Microsoft® Windows® 10 (Home, Pro) or Microsoft® Windows® 11
CPU	Intel Pentium IV 2.4GHz or above (Core 2 Duo E4600 recommended)
RAM	1GB or more
VGA	128MB or more (1280x1024, 24bpp or above)
Chrome	Google Chrome 22.0.1229.0 or above (59.xxx or above recommended)
Edge	98.0.1108.43 or above

Setup IDIS Web

- Launch Internet Explorer and then enter the following information in the address bar.
 - http://IP Address:Port Number (NVR system's IP address and IDIS Web port number configured under Network > General (Default Value: 12088))
 - Or http://fen.idisglobal.com/FEN Name (FEN Name: NVR name configured on the FEN server)
 - Or http://web.idisglobal.com (will be prompted to enter NVR's IP address or FEN name registered to the FEN server upon login)
- Contact your network administrator for the IP address of the NVR you wish to connect to and the IDIS Web port number.
- When prompted with the IDIS Web login window, select **LIVE-PORT** or **PLAY-PORT** as the desired mode. Enter the ID and password and click **LOGIN** to sign in using the selected mode. If connecting by entering http://web.idisglobal.com, enter the NVR's IP address in the Device Address field. Selecting the Use FEN option on the login window allows you to enter the NVR name registered to the FEN server instead of its IP address. You will be prompted to enter the FEN server's address and port number under Setup.



IDIS Center Program

System Requirements

	Recommended	Minimum
OS	Microsoft® Windows® 11, Microsoft® Windows® 10 64-bit (Home/Pro), Windows Server 2016 or higher	Microsoft® Windows® 10 (Home/Pro)
CPU	Intel® Core™ i7-12700K 3.6GHz or better	Intel® Core™ i3-2100 or better
RAM	16GB or more	2GB or more
VGA	NVIDIA GeForce GTX1060 or Quadro P2000 or better (1920x1080 or 2560x1440, 60Hz)	NVIDIA GeForce GT710 (1280x1024, 60Hz) or Intel® HD Graphic 530 or higher
HDD	8GB or more of available space SSD(Solid State Drive)	4GB or more of available space
LAN	Gigabit Ethernet or better	100 Mbps Ethernet

- IDIS Center program runs on 32-bit and 64-bit OS.

Installation

Prior to installing the software, click on to the Windows **Start** menu, open Control Panel, click on **Power Management**, and set options for **Turn off monitor** and **Turn off hard disks** as **Never**.

- 1 Download the software from the IDIS website (www.idis.co.kr).
- 2 Browse to the **Setup** folder in the downloaded file and run **setup.exe**.



On **Microsoft® Windows® Vista** or **User Account Control** window may pop-up. Click **Allow** and follow the instructions in the installation window to proceed with the installation.

- 3 When the installation window appears, click **Next**.
- 4 Select an installation path for the program, and click **Next**.
- 5 When the install confirmation window appears, click **Next**.



NET Framework and Visual C++ Runtime Libraries will be installed automatically, and it may take a few minutes. If NET Framework and Visual C++ Runtime Libraries are already installed on the system, this step will be skipped automatically.

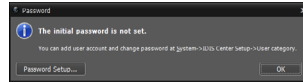
- 6 When the Installation Completed window appears, click **Close** and finish the installation.

Start Program

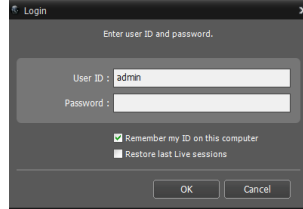
When IDIS Center software is installed, **IDIS Center** and **IDIS Center Run as administrator** shortcut icons will be created on the desktop. Run IDIS Center software by double-clicking on **IDIS Center** or **IDIS Center Run as administrator** shortcut icon. If a removable eSATA HDD or SD (SDHC) memory card are connected to the IDIS Center system, you must double-click on **IDIS Center Run as administrator**.

Login

This program does not have a password set by default. Leaving the admin account unassigned with a password poses a security risk. Please assign a password at your earliest convenience.



Once the program is running, you must login. Enter a User ID and Password.



- **Remember my ID on this computer:** Remembers the ID used to login.
- **Restore last Live sessions:** Restores the previous Live session on the current Live panel.

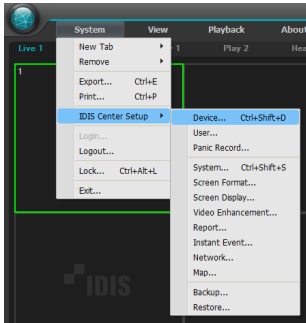


- Default User ID is "admin" without a password.
- You can change User ID and Password in the User menu.

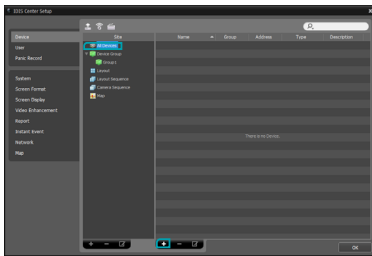
Device Registration

To use the functions provided by IDIS Center, you must first register a device and add the device to a device group.

- 1 Select **System > IDIS Center Setup > Device** in the menu at the top of the screen.

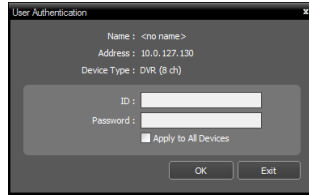


- 2 On the **Site** panel, click on **All Devices**, then click on the **+** button at the bottom of the **Site List** panel on the right. A **Device Scan** window will appear on the screen.

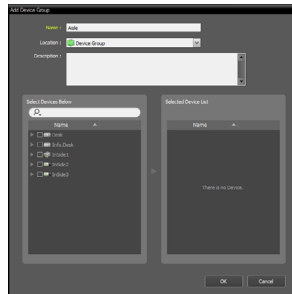


- 3 After selecting a scan mode, click on **Start Scan** button and the scan results will be displayed on the list.
- 4 Click **Add Devices** at the bottom of the **Device Scan** window.

- 5 When user authentication window appears, enter the User ID and Password set up on each device, and then select **OK** for remote access.



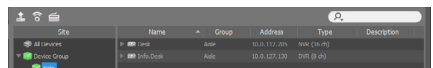
- 6 Click **Device Group** on the **Sites** panel and click **+** at the bottom. **Add Device Group** window will appear.



- **Name:** Enter a name for the device group.
- **Location:** Select an location for the subject device group.

When you select a device from the device List on the left, it will be added to the **Selected Device List** on the right. Click **OK** to register the device group.

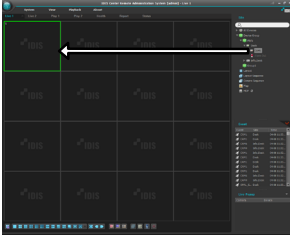
- 7 Make sure that the device has been added to the device group correctly. Click **Device Group** on the **Sites** panel and click on next to **Device Group**. When you click on a registered device group, a list of devices added the selected device group will be displayed on the right.



To modify a device group that has been registered, select a device group and click on the bottom of the **Sites** panel. **Modify Device Group** window will appear. You can modify the selected device group from this window.

Live Video Mode

- 1 In the **Site List**, make sure that the device has been added to the device group.
- 2 In the panel tabs, click the **Live** tab. In the **Site** list, select a zone you wish to connect to. Then, drag & drop the selected site on the Live screen using your mouse. The live video of the selected site will be displayed on the screen.



Recorded Video Playback

- 1 In the **Site** List, make sure that the device has been added to the device group.
- 2 In the panel tabs, click on the **Play** tab. In the **Site** list, select a site you wish to connect to. Then, drag & drop the selected site on the playback screen using your mouse. The recorded video of the selected site will be displayed on the screen.

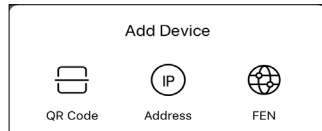
IDIS Mobile Plus



This service requires heavy data traffic, and using a Wi-Fi connection is recommended. Using wireless internet (3G, LTE) may result in excessive data charges.

Android OS device

- 1 Open the **Play Store**(Google Play) on your Android device.
- 2 In **Play Store** (Google Play), enter **IDIS Mobile Plus** in the search field.
- 3 Install **IDIS Mobile Plus** program and open it.
- 4 In the start-up screen, click the **+** button on the bottom and select a device registration option.



- **QR Code:** For devices which support a QR code, scan the QR code to automatically register device information.
- **IP Address:** Enter the IP address, user ID and password of a device to register.
- **FEN:** Enter the FEN name, user ID and password of a device to register. For more details, contact your FEN server administrator.

iOS device


- 1 Open the **App Store** on your device.
- 2 Enter **IDIS Mobile Plus** in the search field of the **App Store**.
- 3 Install **IDIS Mobile Plus** program and open it.
- 4 In the start-up screen, click the **+** button on the bottom and select a device registration option.



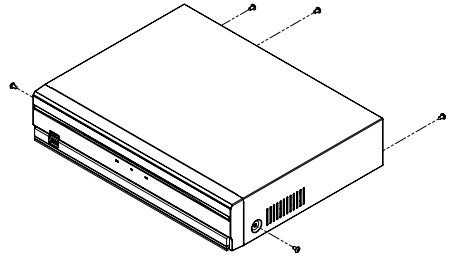
- **QR Code:** For devices which support a QR code, scan the QR code to automatically register device information.
- **IP Address:** Enter the IP address, user ID and password of a device to register.
- **FEN:** Enter the FEN name, user ID and password of a device to register. For more details, contact your FEN server administrator.

Installing or Replacing the HDD

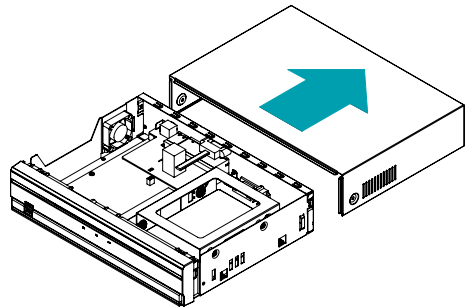
You can install an additional HDD or replace an HDD with an existing drive if necessary. (Image below is for illustrative purposes only and may differ from the actual product.)

 Please follow these steps to add or replace an HDD in an actual place where users use the product. .

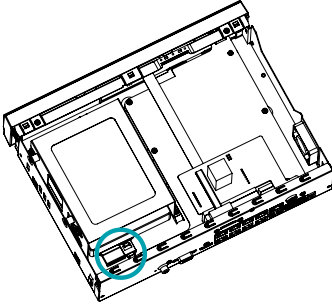
- 1 Remove the screws from the left/right sides and back side.



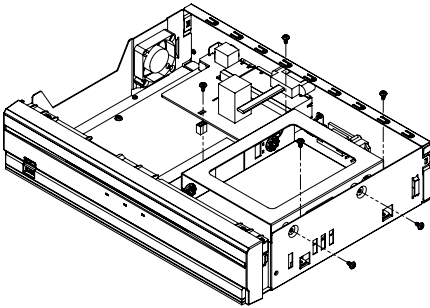
- 2 Slide the cover back to remove it.



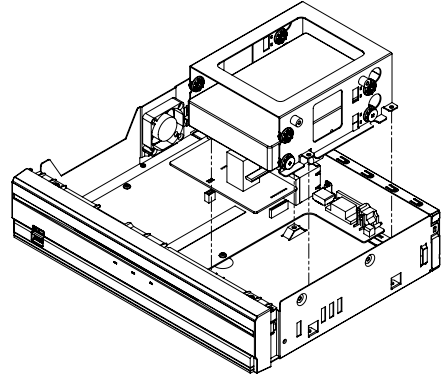
- 3** Disconnect the power and data cables attached to the hard disk



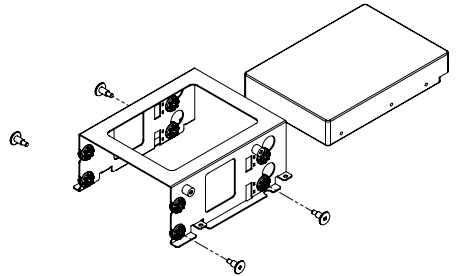
- 4** Remove one screw that secures the HDD bracket,



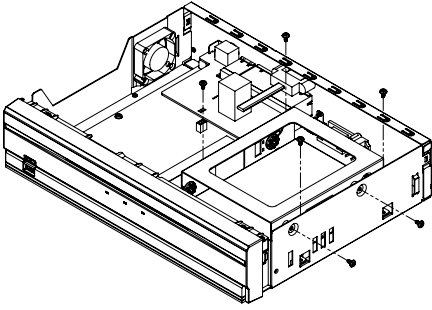
- 5** Detach the HDD bracket from the mainboard.



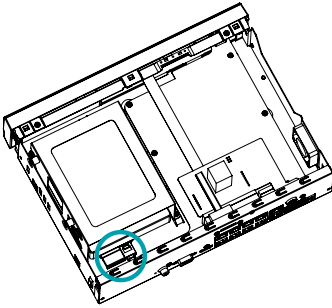
- 6** Unscrew the screws on the left and right sides of the HDD bracket to detach the HDD from the bracket. Install the new HDD, and tighten the screws to fix it.



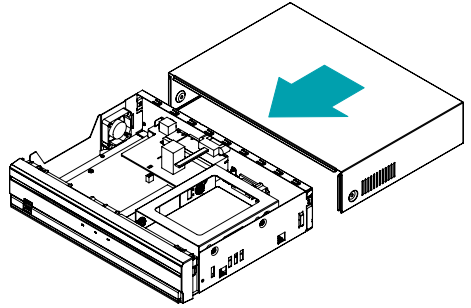
- 7** Install the bracket with the HDD installed to the mainboard and tighten the six screws to fix it.



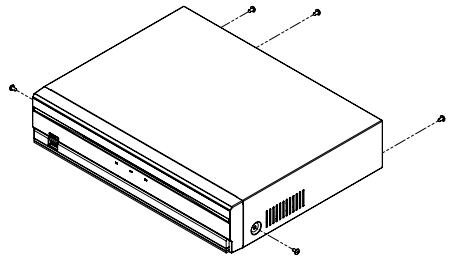
- 8** Connect the power and data cables to the hard disk.



- 9** Close the cover.



- 10** After closing the cover, tighten the screws to fix it.



Specifications

These product specifications may change without prior notice.

VIDEO	
Video Inputs	4/8/16 IP channels
Video Outputs	1 HDMI, 1 VGA
Display Resolution	HDMI: 3840 x 2160, 1920 x 1200 , 1920 x 1080, 1680 x 1050, 1600 x 1200 VGA : 1920 x 1200, 1920 x 1080, 1680 x 1050, 1600 x 1200
Display Speed	Up to 480ips (16ch) Up to 240ips (8ch) Up to 120ips (4ch)

* If more than 16 cameras from video encoders are registered on the NVR, video may not be displayed smoothly in a remote program.

RECORDING	
Max. Throughput	180Mbps, 480ips @ UHD (16ch) 140Mbps, 240ips @ UHD (8ch) 70Mbps, 120ips @ UHD (4ch)
Compression	H.264, H.265
Recording Mode	Time-Lapse, Event, Pre-Event, Panic

PLAYBACK	
Performance	16ch/8ch/4ch synchronous playback
Search Mode	Time-lapse, Event log, Motion, Text-in

STORAGE	
HDD	SATA x2, eSATA x1
Total Capacity	36TB = 6TB x (2 + 1x4) DR-2504P/DR-2508P/DR-2516P 24TB = 4TB x (2 + 1x4) DR-2504P-A
Data Export Device	USB HDD, USB Stick

NETWORK	
Video in Connection	Fast Ethernet(IP Camera) x8 +Gigabit Ethernet(Ext) x1 (8ch/16ch) Fast Ethernet(IP Camera) x4 (4ch)
Client Connection	Gigabit Ethernet(Client) x1
Transmission Speed	50Mbps / 100Mbps(BRP Mode)

Camera Power	DR-2508P/DR-2516P PoE(IEEE 802.3at class 4) supported 8 ports, 50W DR-2508P-A/DR-2516P-A PoE(IEEE 802.3at class 4) supported 8 ports, 100W DR-2504P/DR-2504P-A PoE(IEEE 802.3at class 4) supported 4 ports, 30W DR-2504P-B/DR-2504P-C PoE(IEEE 802.3at class 4) supported 4 ports, 50W
Event Notification	Email (attach clip (.cbf) .MP4), Callback to Remote S/W, Push notification (IDIS Mobile)

INTERFACE	
Audio In / Out	Local(NVR) : - / 1RCA + 1HDMI IP Camera : 16 / 16 (Depending on IP Camera) (16ch) Local(NVR) : - / 1RCA + 1HDMI IP Camera : 8 / 8 (Depending on IP Camera) (8ch)
NVR Alarm Spec- In	Local(NVR) : - / 1RCA + 1HDMI IP Camera : 4 / 4 (Depending on IP Camera) (4ch)
NVR Alarm Spec- Out	4 TTL NC/NO programmable, 2.4V (NC) or 3.0V (NO) threshold, 5V DC
NVR Alarm Spec - Reset IN	1 relay output, NC/NO, 2A@125V AC, 1A@30V DC (NO)
Internal Buzzer	-
Serial Interface	Yes
USB	RS232 (Terminal Block)
USB	USB 2.0 x 1. USB 3.0 x 1

GENERAL	
Operating System	Embedded Linux
Unit Dimensions (W x H x D)	300mm x 62mm x 231mm (11.8"x2.4"x9.1")
Unit Weight	2.3Kg(with 1HDD) 8/16ch 2.2Kg(with 1HDD) 4ch
Working Temperature	0°C to 40°C (32°F~ 104°F)
Operating Humidity	0% ~ 90%

Power Input	<p>DR-2508P/DR-2516P NVR Adaptor (Input: 100-240V~, 50/60Hz, 1.5A, Output: 12V$\overline{\text{---}}$ 5A) PSE Adaptor (Input: 100-240V~, 50/60Hz, 1.5A, Output: 48V$\overline{\text{---}}$ 1.35A)</p>
	<p>DR-2508P-A/DR-2516P-A NVR Adaptor (Input: 100-240V~, 50/60Hz, 1.5A, Output: 12V$\overline{\text{---}}$ 5A) PSE Adaptor (Input: 100-240V~, 50/60Hz, 2.5A, Output: 54V$\overline{\text{---}}$ 2.33A)</p>
	<p>DR-2504P/DR-2504P-A NVR Adaptor (Input: 100-240V~, 50/60Hz, 1.5A, Output: 12V$\overline{\text{---}}$ 5A) PSE Adaptor (Input: 100-240V~, 50/60Hz, 1.2A, Output: 48V$\overline{\text{---}}$ 1A)</p>
	<p>DR-2504P-B/DR-2504P-C NVR Adaptor (Input: 100-240V~, 50/60Hz, 1.5A, Output: 12V$\overline{\text{---}}$ 5A) PSE Adaptor (Input: 100-240V~, 50/60Hz, 1.5A, Output: 48V$\overline{\text{---}}$ 1.35A)</p>
Power Consumption	<p>DR-2508P/DR-2516P NVR: 12V$\overline{\text{---}}$ 2.2A, 26.4W PSE: 48V$\overline{\text{---}}$ 1.05A, 50.4W MAX</p>
	<p>DR-2508P-A/DR-2516P-A NVR: 12V$\overline{\text{---}}$ 2.2A, 26.4W PSE: 54V$\overline{\text{---}}$ 1.85A, 100W MAX</p>
	<p>DR-2504P/DR-2504P-A NVR: 12V$\overline{\text{---}}$ 2.2A, 26.4W PSE: 48V$\overline{\text{---}}$ 0.64A, 30.72W MAX</p>
	<p>DR-2504P-B/DR-2504P-C NVR: 12V$\overline{\text{---}}$ 2.2A, 26.4W PSE: 48V$\overline{\text{---}}$ 1.04A, 50W MAX</p>
Approvals	FCC, CE



IDIS Co., Ltd.

For more information, please visit at
www.idisglobal.com